

1

2

3

4

5

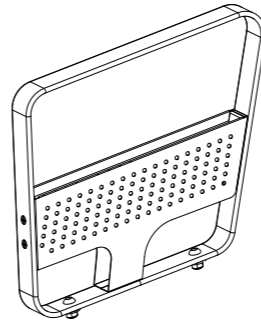
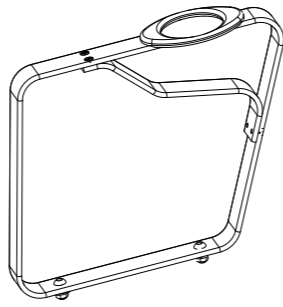
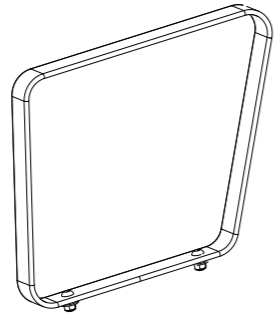
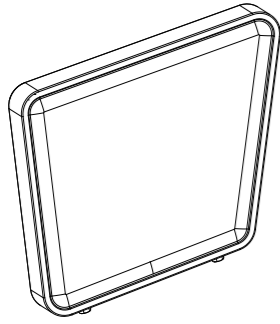
6

7

8

A

A



01-0003-A (Tourist Infill 50mm)

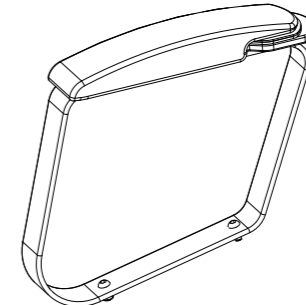
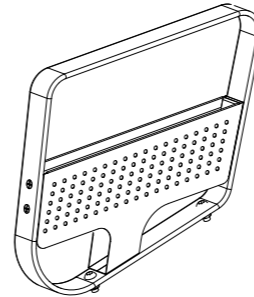
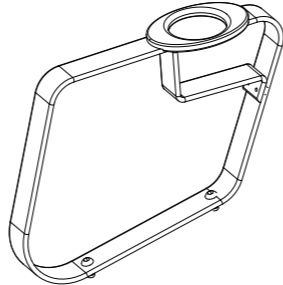
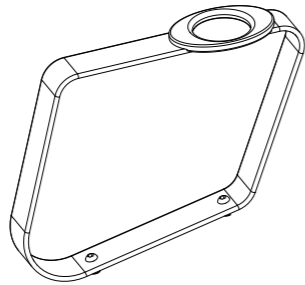
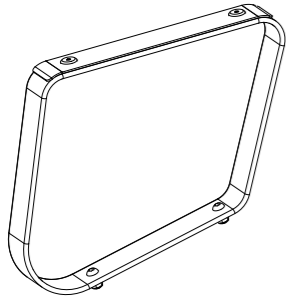
01-0001-A (Tourist Open 40x6mm)

01-0037-A (Tourist Open 40x6mm)

01-0155-A (Tourist Open 40x6mm)

B

B



01-0093-A (Commuter Open 50x6mm)

01-0010-A (Commuter Open 50x6mm)

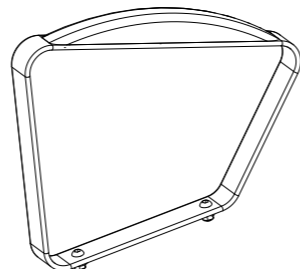
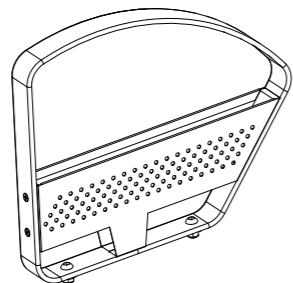
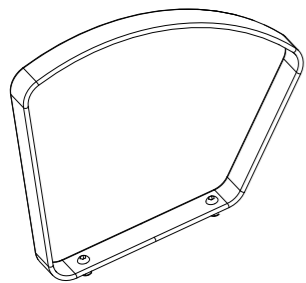
01-0158-A (Commuter Open 40x6mm)

01-0113-A (Commuter Open 40x6mm)

01-0092-B (Commuter Open 40x6mm)

D

D



01-0018-A (Contour Open 40x6mm)

01-0116-A (Contour Open 40x6mm)

01-0128-A (Contour Integral Open 40x6mm)

E

E

F

Drawn	Date
Ravindra	22-05-2006

4

5

6

7

8

1

2

3

4

5

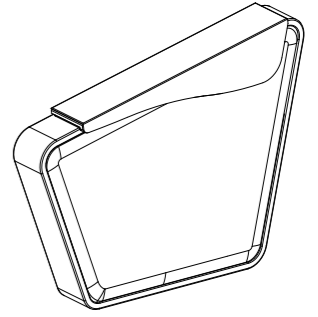
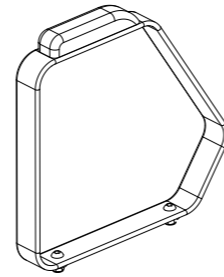
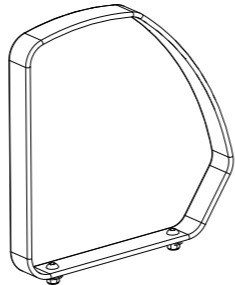
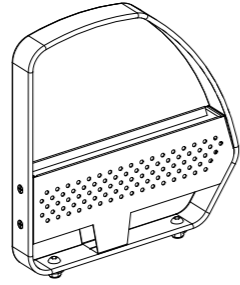
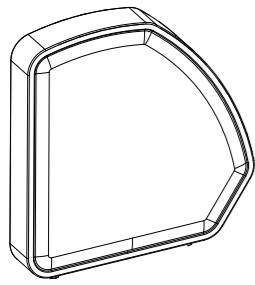
6

7

8

A

A



01-0027-A (Diner Infill 50mm)

01-0117-A (Diner Open 40x6mm)

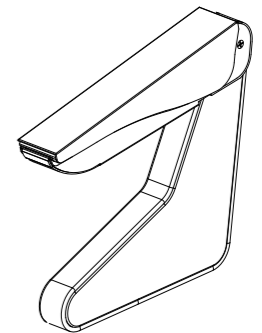
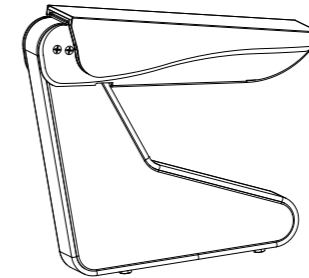
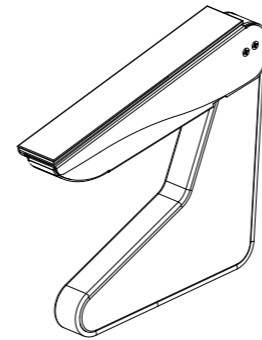
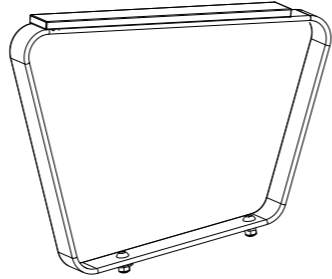
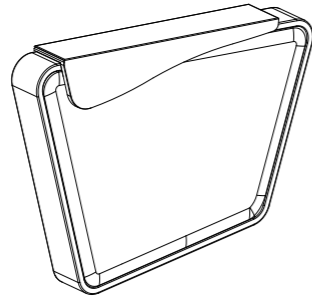
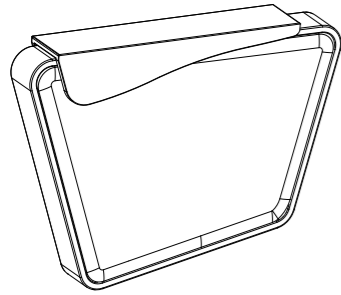
01-0026-A (Diner Open 40x6mm)

01-0129-A (Diner Integral Open 40x6mm)

01-0136-A (Prospector 50mm infill  
Left Hand Pad)

B

B



01-0079-A (Prospector 50mm Infill)  
Double Side Pad

01-0058-A (Prospector Fixed)  
Right Hand Pad

01-0090-A (Prospector Open 40x6mm)

01-0019-A (Prospector Folding)  
Right Hand Pad

01-0057-A (Prospector double)

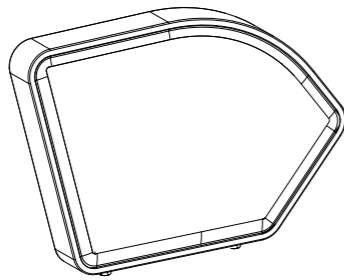
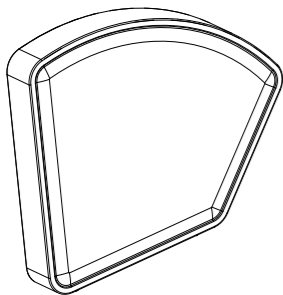
01-0080-A (Prospector Folding)  
Left Hand Pad

D

D

E

E



01-0020-B (Club Infill 50mm)

01-0036-A (Club Extended Infill 50mm)

F

F

1

2

3

4

5

6

7

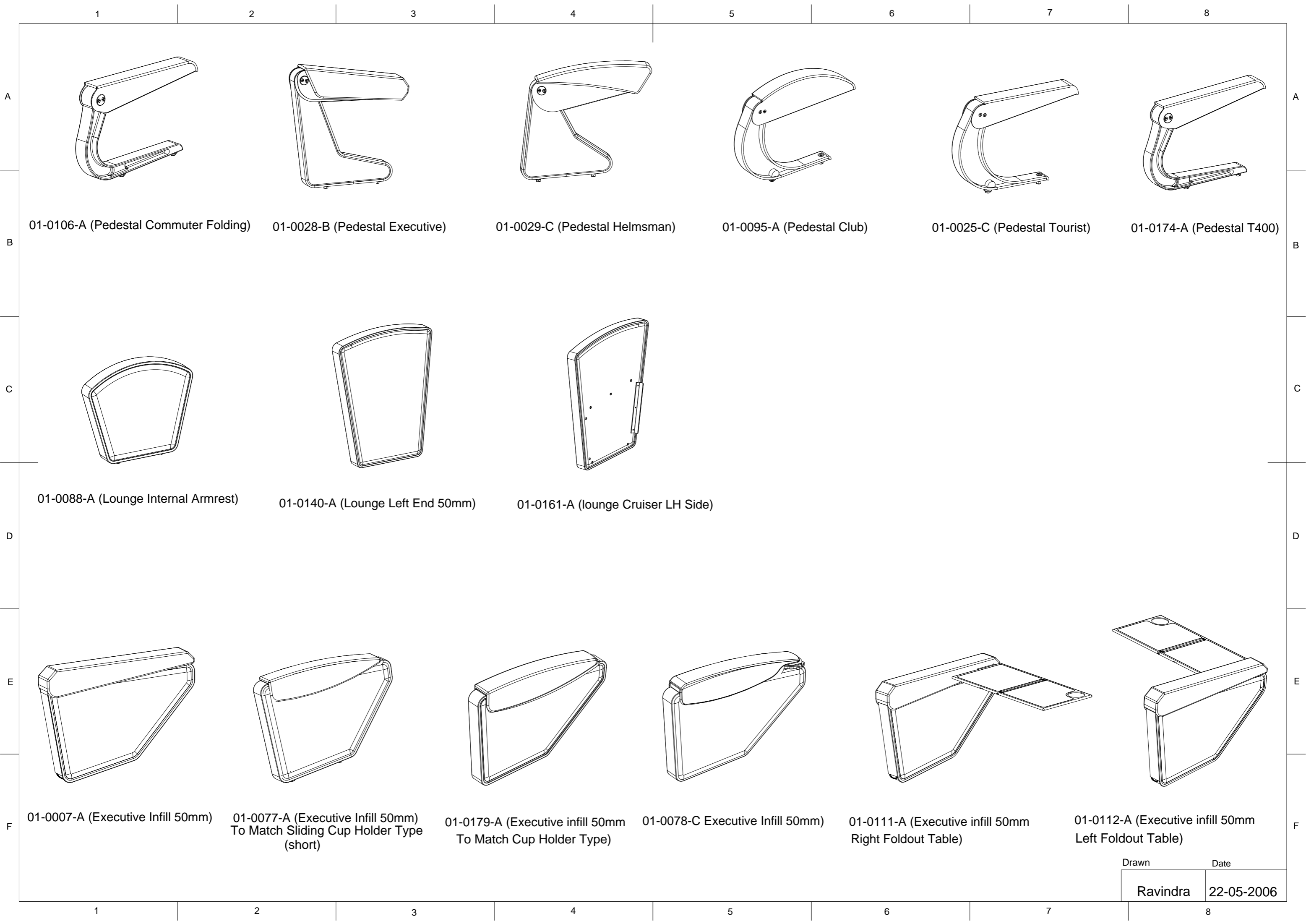
8

Drawn

Date

Ravindra

22-05-2006



1

2

3

4

5

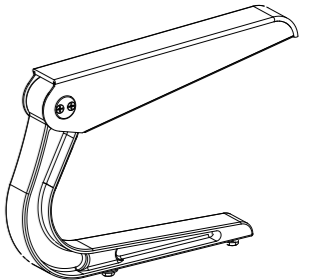
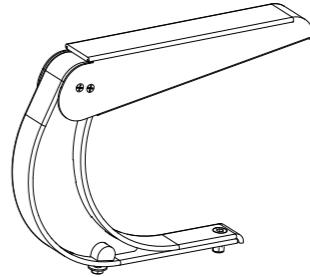
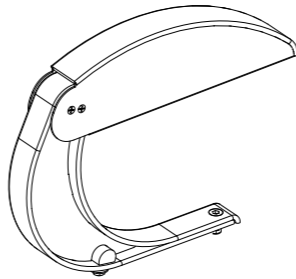
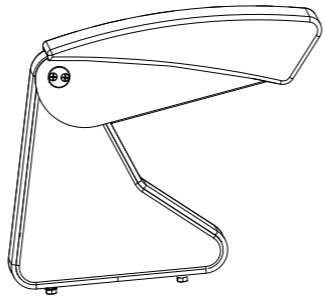
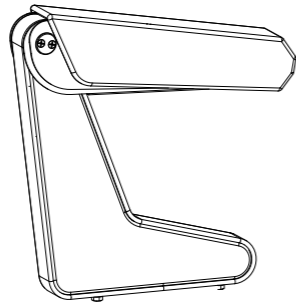
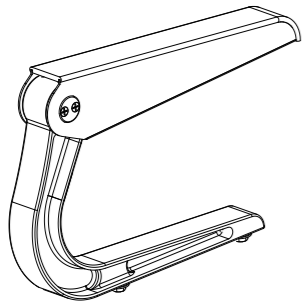
6

7

8

A

A



01-0106-A (Pedestal Commuter Folding)

01-0028-B (Pedestal Executive)

01-0029-C (Pedestal Helmsman)

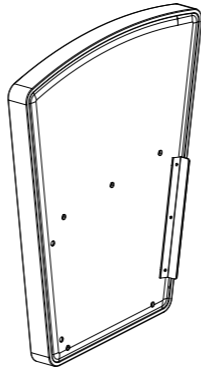
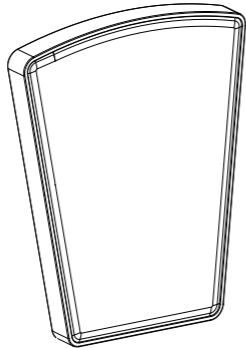
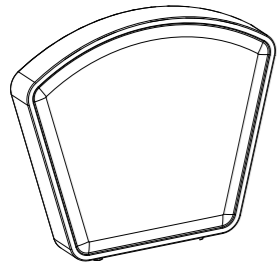
01-0095-A (Pedestal Club)

01-0025-C (Pedestal Tourist)

01-0174-A (Pedestal T400)

B

B



01-0088-A (Lounge Internal Armrest)

01-0140-A (Lounge Left End 50mm)

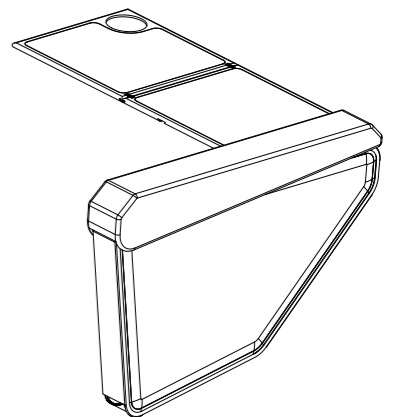
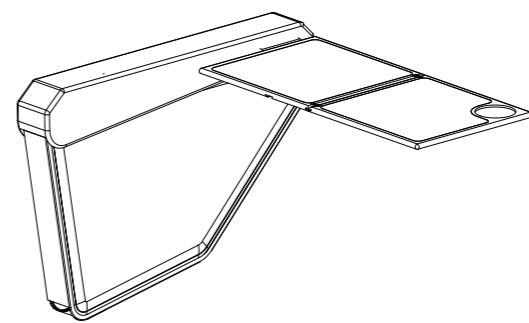
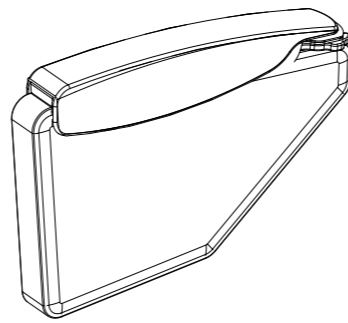
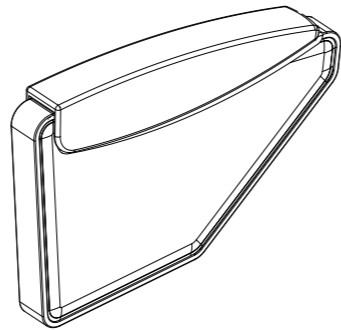
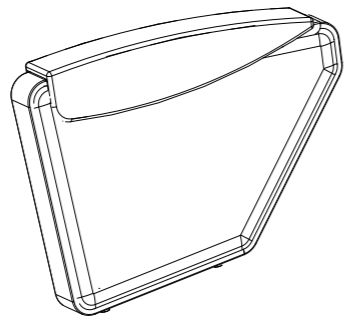
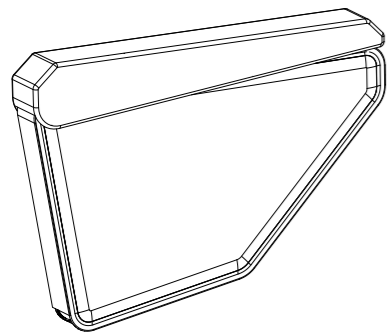
01-0161-A (lounge Cruiser LH Side)

C

C

D

D



01-0007-A (Executive Infill 50mm)

01-0077-A (Executive Infill 50mm To Match Sliding Cup Holder Type (short))

01-0179-A (Executive infill 50mm To Match Cup Holder Type)

01-0078-C Executive Infill 50mm

01-0111-A (Executive infill 50mm Right Foldout Table)

01-0112-A (Executive infill 50mm Left Foldout Table)

F

F

Drawn

Date

Ravindra

22-05-2006

1

2

3

4

5

6

7

8

1

2

3

4

5

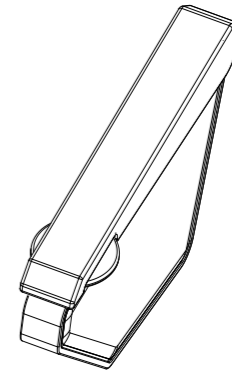
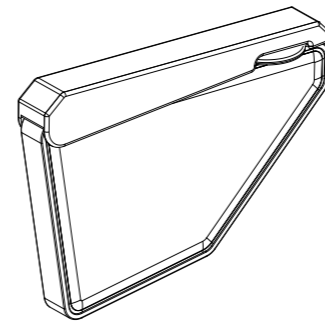
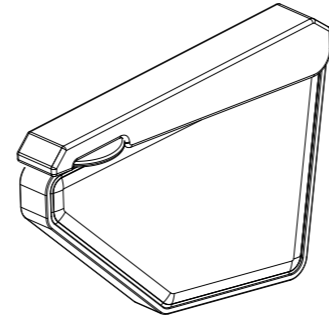
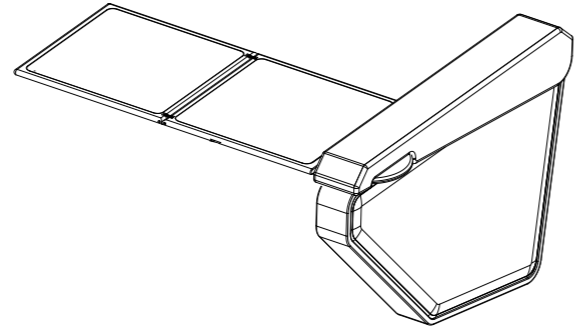
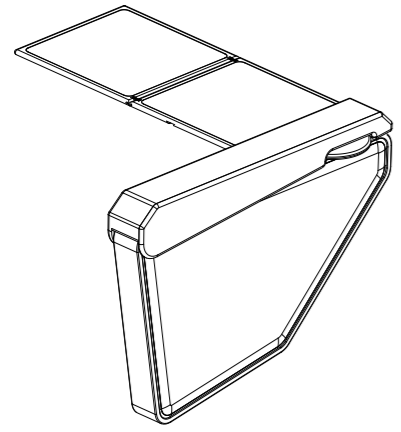
6

7

8

A

A



B

B

01-0008-A (Executive infill 50mm  
Left Foldout Table & Right Landing Pad

01-0009-A (Executive infill 50mm  
Right Foldout Table & Left Landing Pad

01-0040-A (Executive infill 50mm  
Left Table Landing Pad

01-0041-A (Executive infill 50mm  
Right Table Landing Pad

01-0013-A (Executive infill 50mm  
Left & Right Table Landing Pad

C

C

D

D

E

E

F

F

1

2

3

4

5

6

7

8

Drawn	Date
Ravindra	01-06-2006

1

2

3

4

5

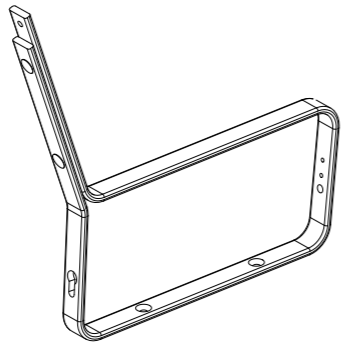
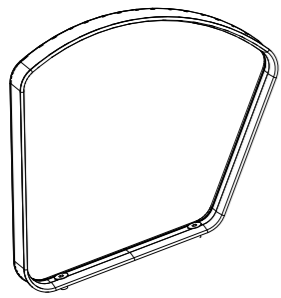
6

7

8

A

A

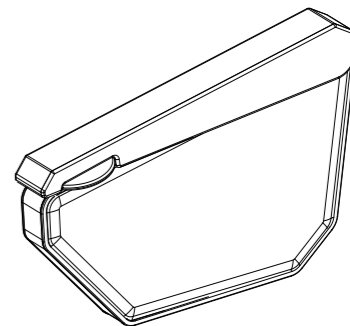
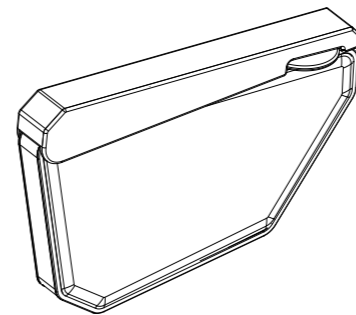
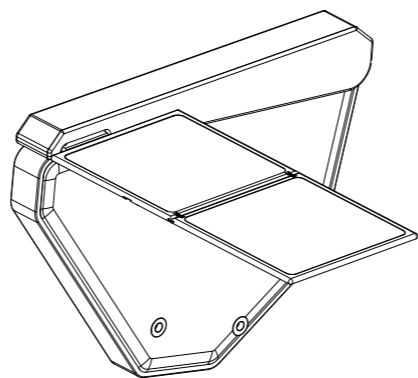
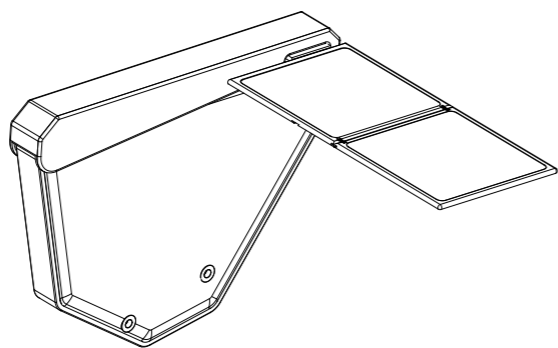
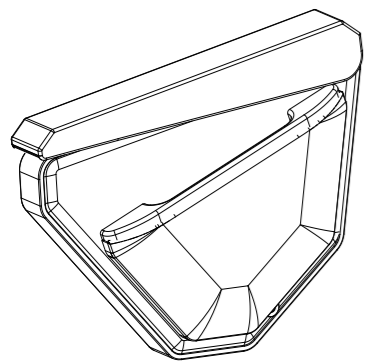


01-0038-A (Office Open 40mm Recess)

01-0015-A (Steamer 32x9mm)

B

B



01-0085-B (Director Special Leftend)

01-0021-B (Director Special 50mm)

01-0022-B (Director Special 50mm)

01-0086-B (Director Special infill 50mm)

01-0143-B (Director Special infill 50mm)

With Document Holder

Right Foldout Table

Left Foldout Table

Right Table Landing Pad

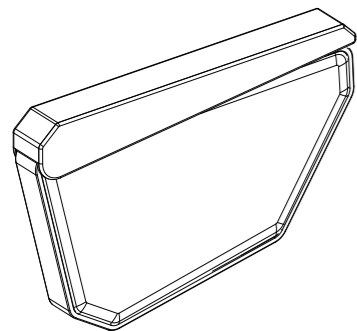
Left Table Landing Pad

D

D

E

E



01-0146-B (Director Special infill 50mm)

Middle Arm

F

F

Drawn

Date

Ravindra

23-05-2006

1

2

3

4

5

6

7

8

