



OPTIONS

- IMO HSC Certified
- Armrests
- Footrest
- Height adjustment
- Rotation lock
- Control armrest
- Seat belt
- Suspension
- Forward / Aft adjustment



The Helm Seat

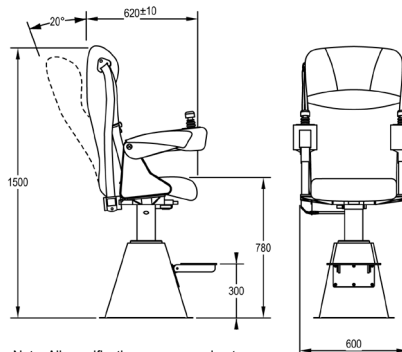
A luxury seat for a working environment that enables operators to enjoy optimum comfort and stability while performing their duties. This specialist range of seats have been developed to meet the demanding requirements for the modern wheel house or control centres.

The modular design of the seat and accessories can be adapted to suit the individual needs of operators in smaller luxury vessels or large commercial vessels.

Type Approved for the IMO HSC Code



BEURTEAUX



Note: All specifications are approximate.
Please enquire for exact specifications